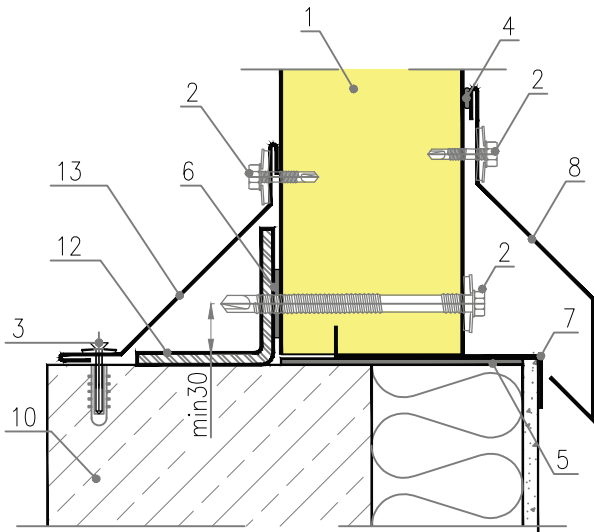


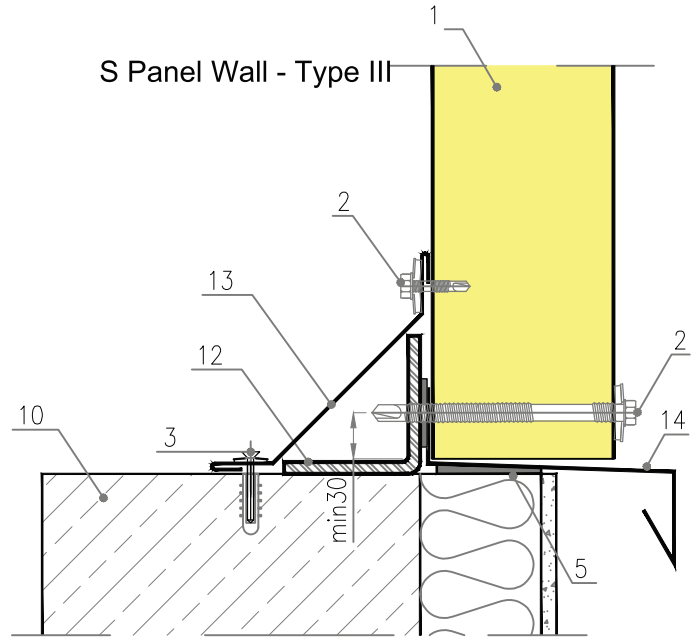
Drawing 11.

S Panel Wall PIR; MWF; EPS and S Panel Gold PIR - vertical configuration, ground beam joint

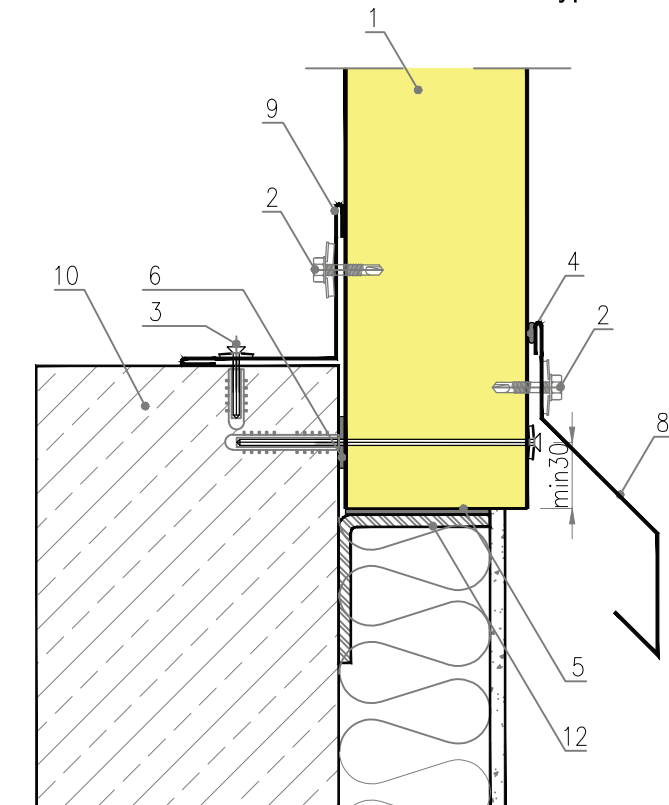
S Panel Wall - Type I



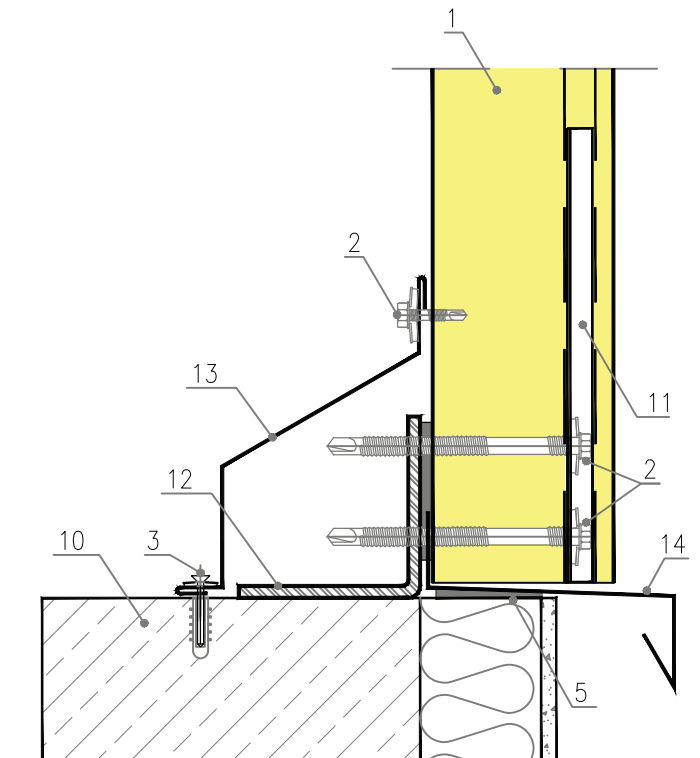
S Panel Wall - Type III



S Panel Wall - Type II



S Panel Cold



1. S Panel Wall PIR; MWF; EPS and S Panel Gold PIR
2. Drive screw with EPDM washer
3. Nail plug screw
4. Sealant, permanently plastic
5. PURS tape / polyurethane foam
6. Self-adhesive PES sealing tape
7. Ob-45 flashing

8. Ob-07 flashing
9. Optionally Ob-11 flashing
10. Ground beam
11. L-02 fastener
12. Steel section, according to the design of the structure
13. Optionally custom masking flashing (dimensions depend on the type of steel section)
14. Ob-45 flashing