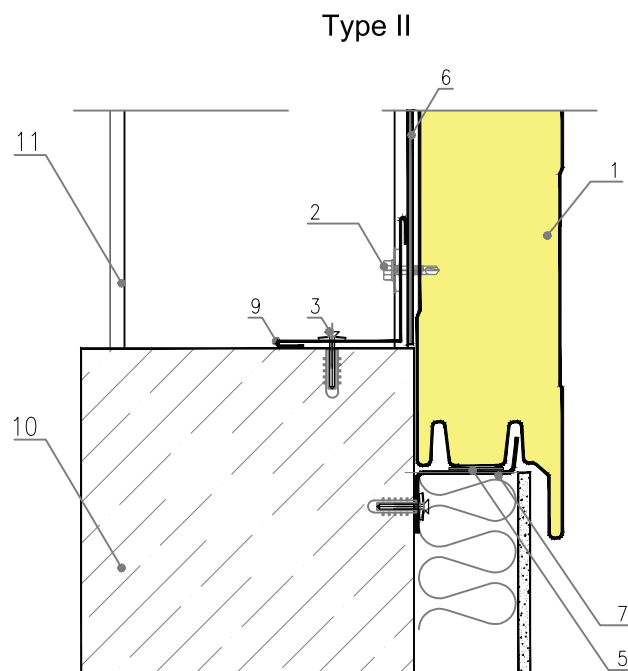
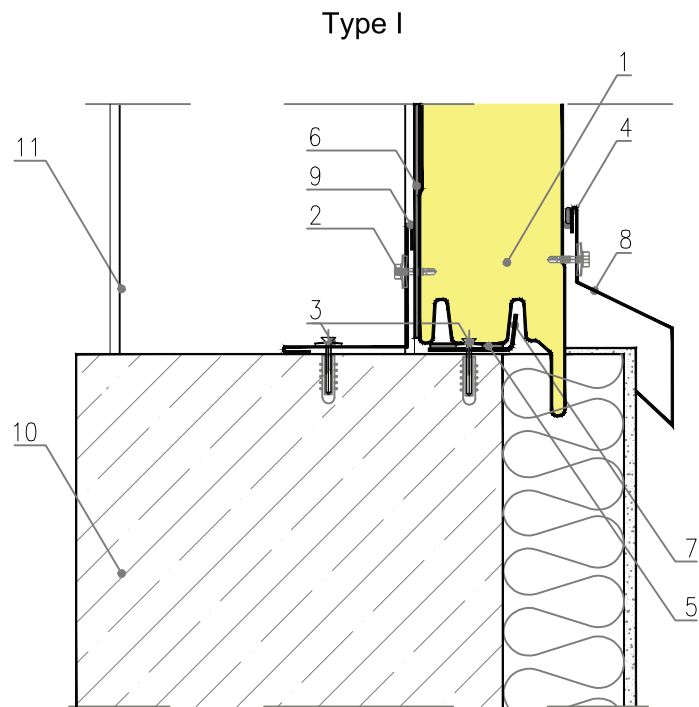


Drawing 13.  
S Panel Gold PIR - horizontal configuration, ground beam joint



1. S Panel Gold PIR panel
2. Drive screw with EPDM washer
3. Nail plug screw
4. Sealant, permanently plastic
5. PURS tape / polyurethane foam
6. Self-adhesive PES sealing tape
7. Custom Ob-00 flashing (specify parameters and section drawing)
8. Ob-07 flashing
9. Ob-11 flashing
10. Ground beam
11. Steel section, according to the design of the structure