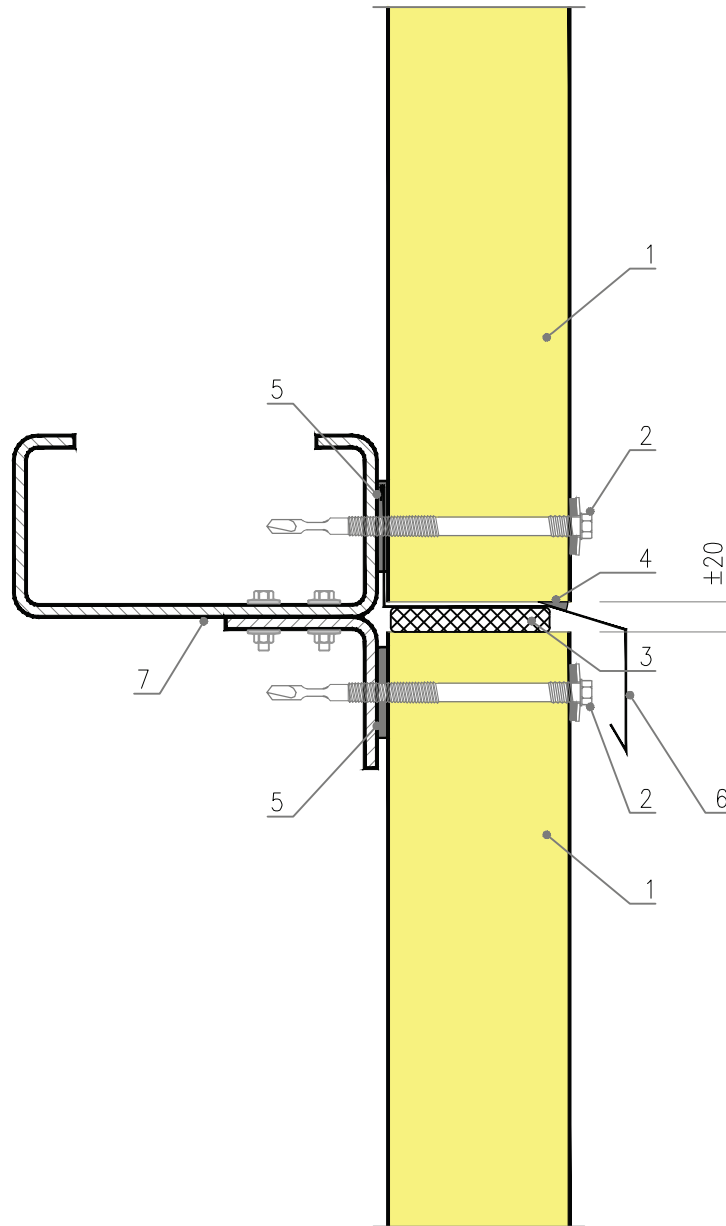


Drawing 15.

S Panel Wall PIR; MWF; EPS - joining panels lengthwise, vertical configuration - high objects



1. S Panel Wall panel
2. Drive screw with EPDM washer
3. Polyurethane foam or impregnated PU gasket
4. Sealant
5. Self-adhesive PES sealing tape
6. Custom flashing (drip cap)
7. Steel section, according to the design of the structure