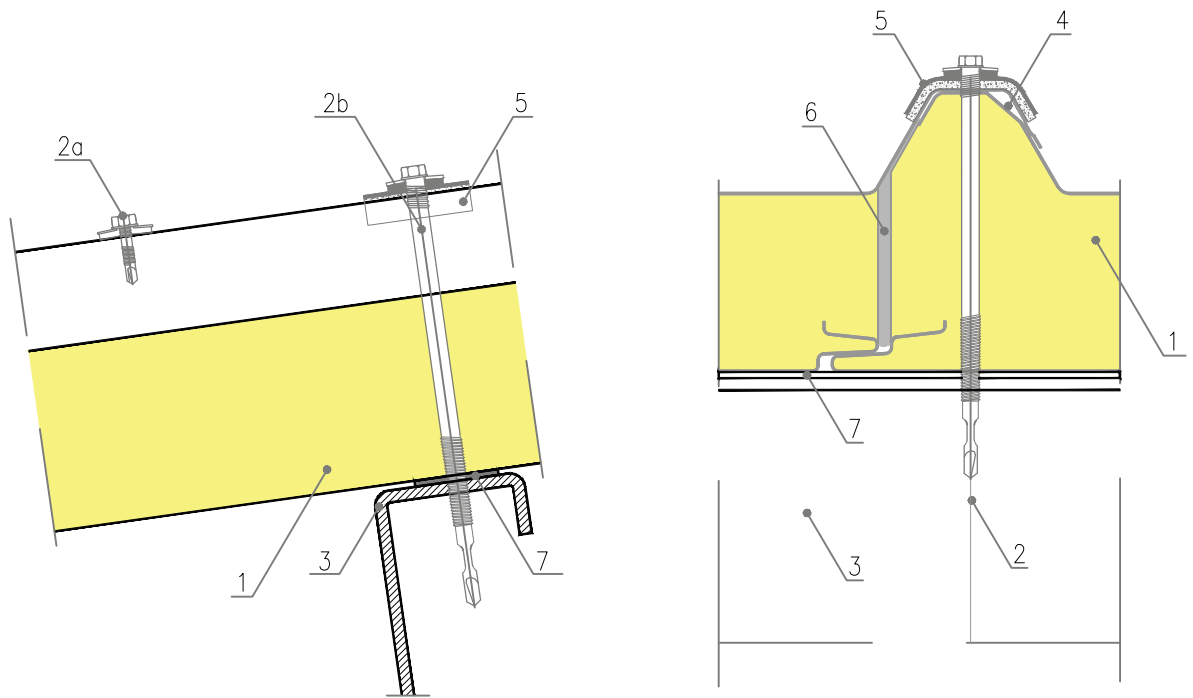
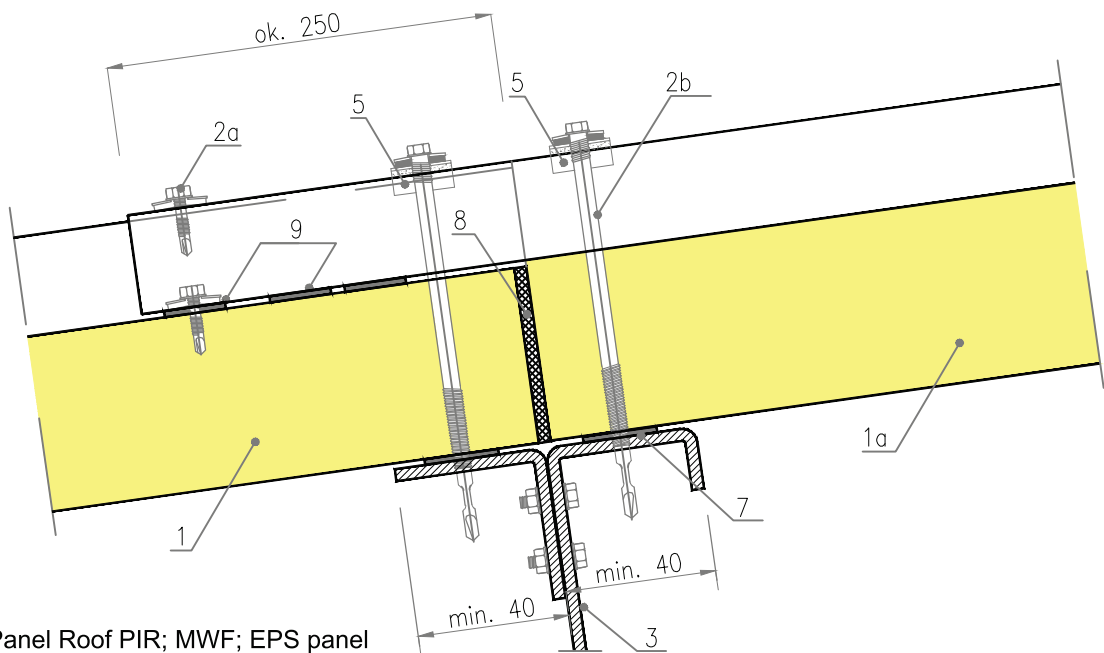


Drawing 17.

S Panel Roof PIR; MWF; EPS - fastening to the structure with lateral panel joint



Joining roof panels lengthwise



1. S Panel Roof PIR; MWF; EPS panel
- 1a. S Panel Roof panel with undercut core
2. Drive screws axis
- 2a. Drive screw with EPDM washer (for lateral joining of panels - recommended span of 30 cm)
- 2b. Drive screw with EPDM washer (fastening panels to the structure)
3. Purlin
4. Capillary chamber
5. L-03 fastener
6. Polyurethane seal
7. Self-adhesive PES sealing tape
8. PURS tape or polyurethane foam
9. Butyl tape, min. 2 strips minimum (3 strips recommended for low slope)

In the case of consider connection of roof panels undercut with different types of cores in the project, please contact S Panel Sales Department.