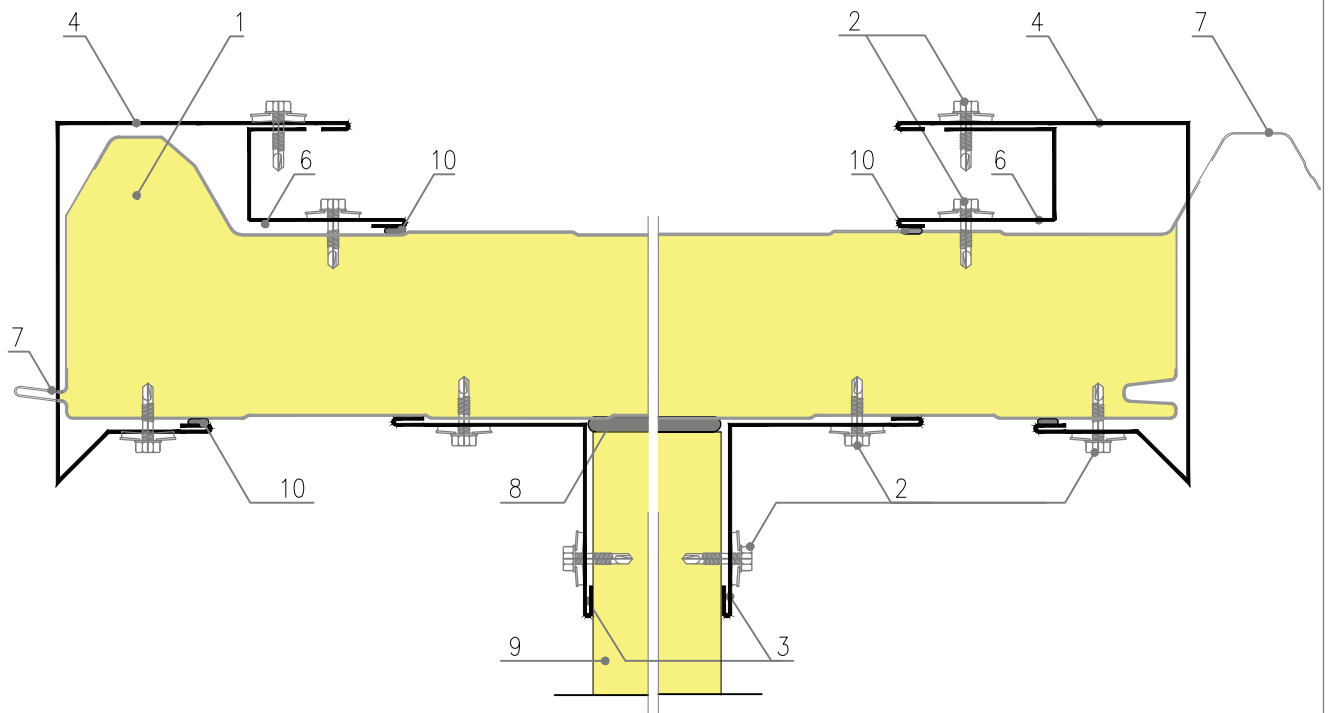
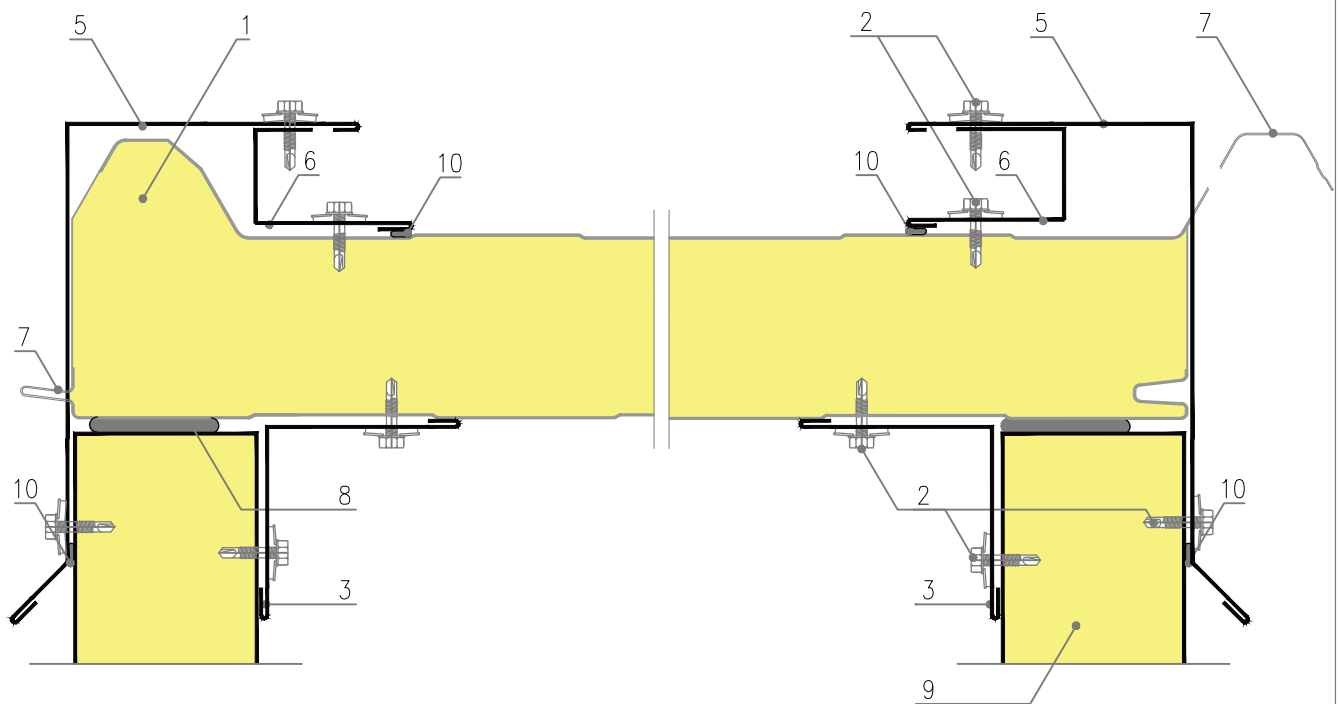


Drawing 20.
S Panel Roof PIR; MWF; EPS - top wall panel joining element

Type I - overhanging



Type II - non-overhanging



1. S Panel Roof PIR; MWF; EPS panel
2. Drive screw with EPDM washer
3. Ob-11 flashing
4. Ob-31 flashing
5. Ob-32 flashing

6. Ob-37 flashing
7. To be cut at the construction site
8. Polyurethane foam
9. S Panel Wall/ S Panel Gold wall panel
10. Sealant, permanently plastic