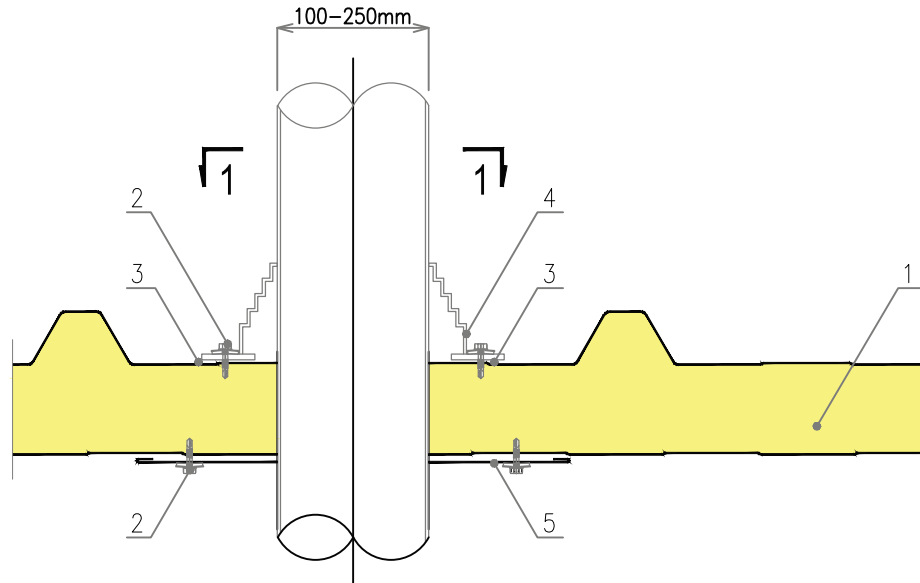
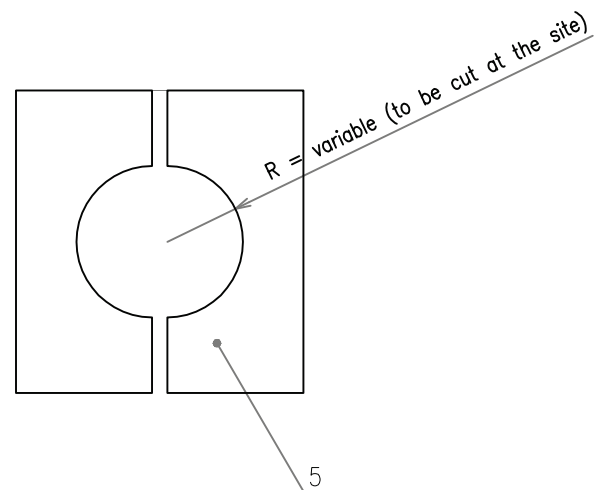
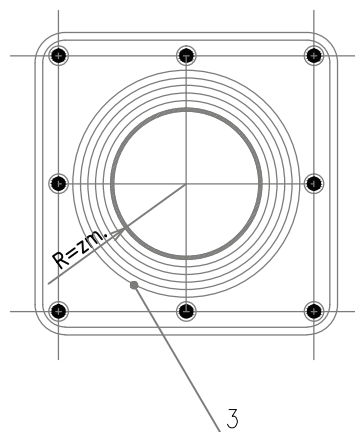


Drawing 27.
S Panel Roof PIR; MWF; EPS - roof penetration



CROSS SECTION 1-1



1. S Panel Roof PIR; MWF; EPS panel
2. Drive screw with EPDM washer
3. Rubber based roof sealant
4. Pipe sealing collar (e.g. PIPECO / EPDM)
5. Custom Ob-00 flashing (specify parameters and section drawing)