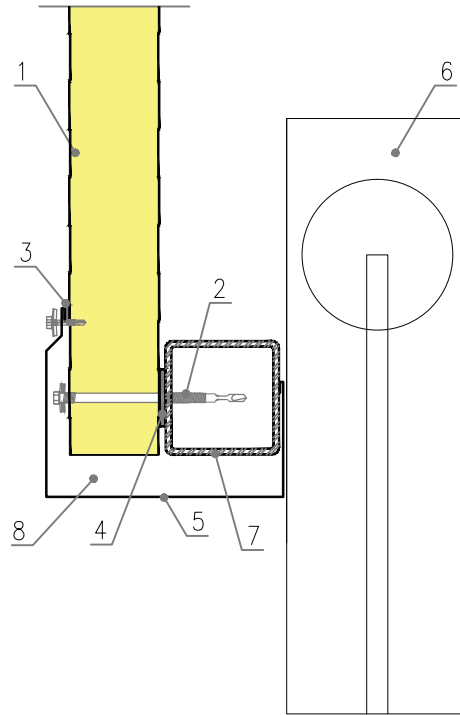


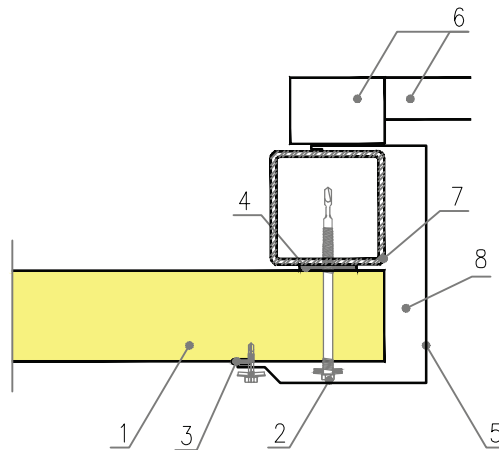
Drawing 30.

S Panel Wall PIR; MWF; EPS and S Panel Gold PIR - joining panels with gate's edge - flashings

Horizontal edge of gate – flashings



Vertical edge of gate – flashings



1. S Panel Wall PIR; MWF; EPS and S Panel Gold PIR panel
2. Drive screw with EPDM washer
3. Sealant, permanently plastic
4. Self-adhesive PES sealing tape
5. Ob-20 flashing
6. Gate elements
7. Steel section, according to the design of the structure
8. Insulation plate