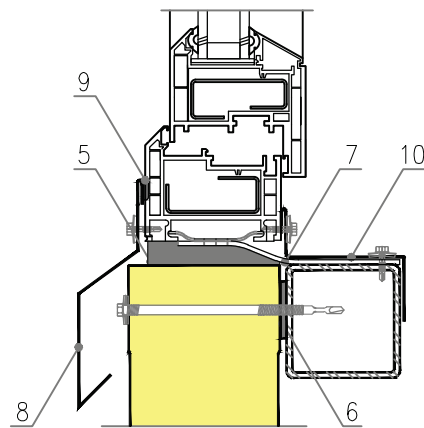
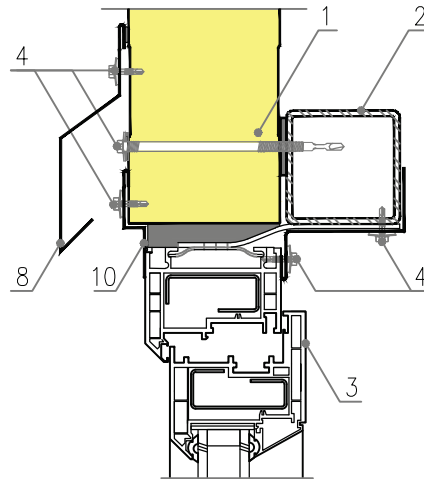


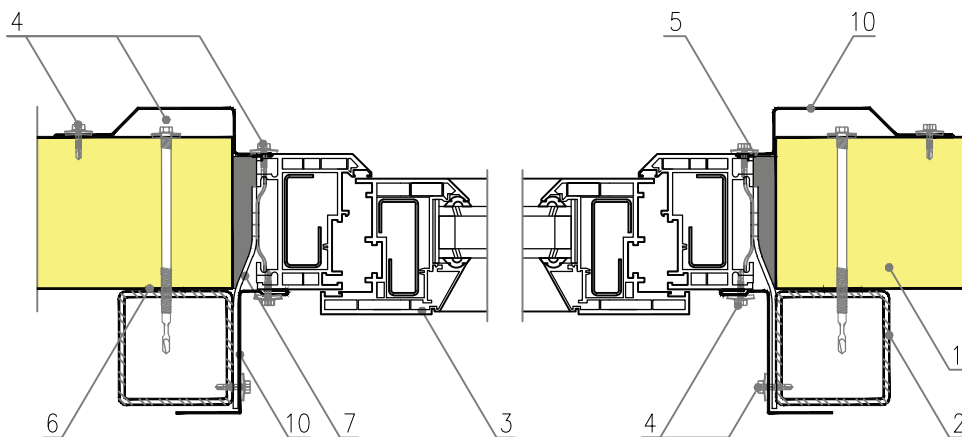
Drawing 31.

S Panel Wall PIR; MWF; EPS and S Panel Gold PIR - joining panels with window's edge

Horizontal edge of window – flashings



Vertical edge of window – flashings



1. S Panel Wall PIR; MWF; EPS and S Panel Gold PIR panel
2. Steel section, according to the design of the structure
3. Window with a handle and a fastener
4. Drive screw with EPDM washer
5. Polyurethane foam
6. Self-adhesive PES sealing tape
7. Window anchor
8. Ob-07 flashing
9. Sealant, permanently plastic
10. Custom Ob-00 flashings

* According to PN-84/B-03230, reinforcing substructure is recommended for holes with edges > 300 mm.