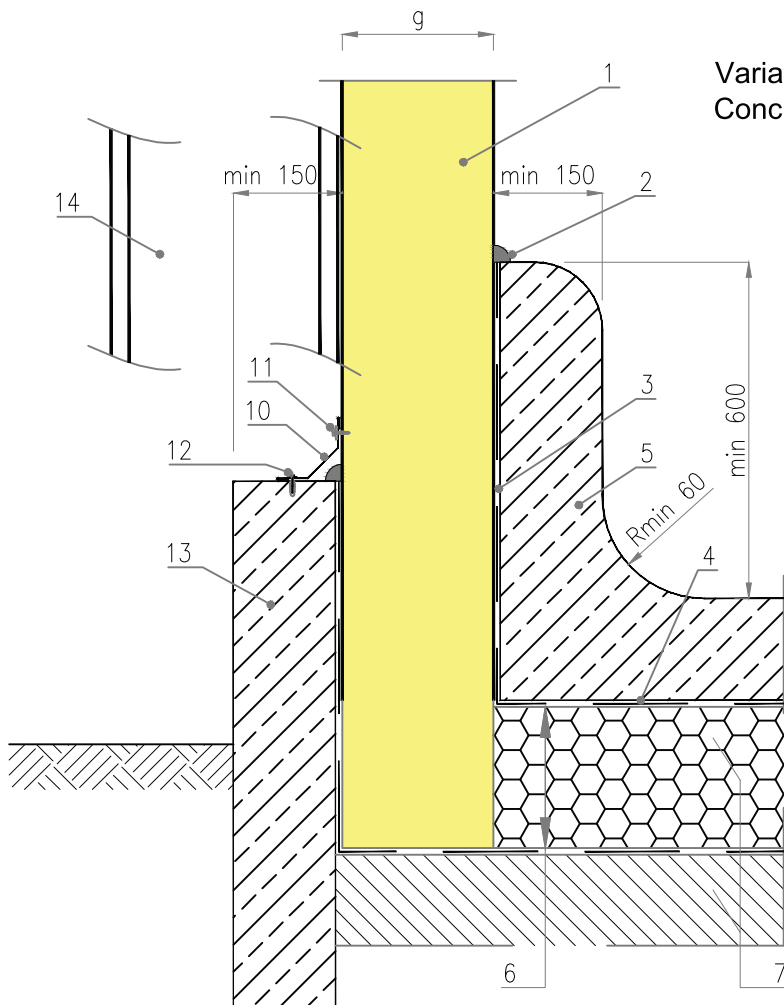


Drawing 35.

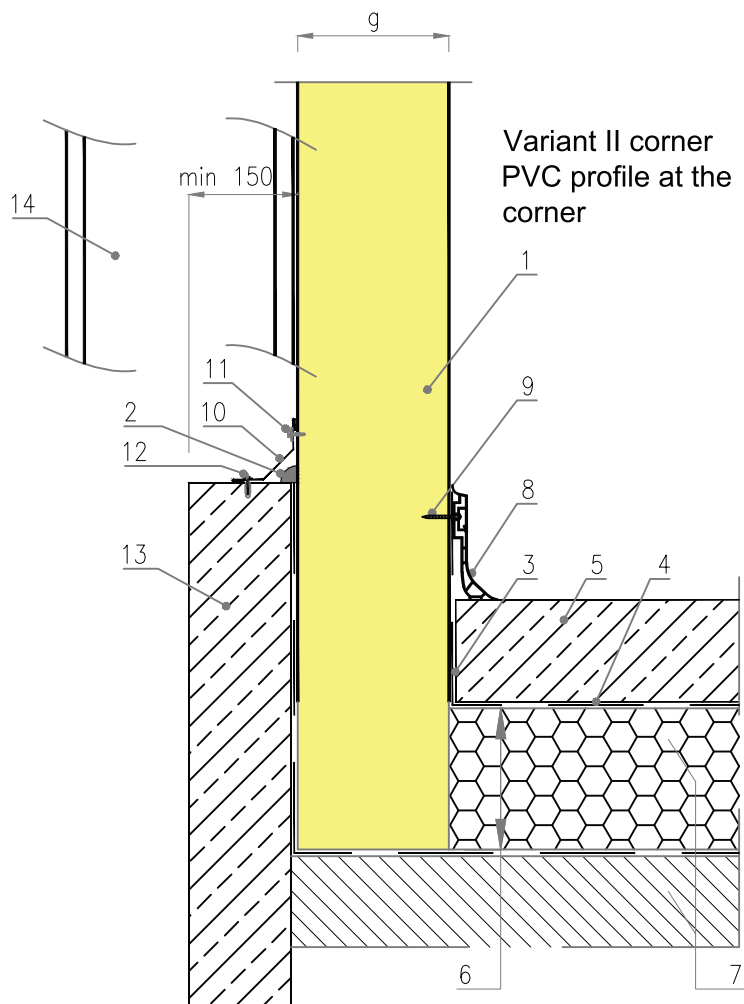
S Panel Cold PIR - joint of cold storage panels with concrete and PVC corner



Variant I

Concrete slab at the corner

1. S Panel Cold PIR panel
2. Sealant, permanently plastic
3. Vertical dampproof course
4. Horizontal dampproof course
5. Concrete floor
6. Remove the cladding to the height of the thermal insulation
7. Thermal insulation according to the design
8. PVC profile at the corner
9. Stainless steel self-drilling screw with washer
10. Ob-15 flashing
11. Drive screw with EPDM washer (optionally leakproof rivet 4.0 x 10 mm)
12. Nail plug screw
13. Ground beam
14. Steel section according to the design



Variant II corner
PVC profile at the corner