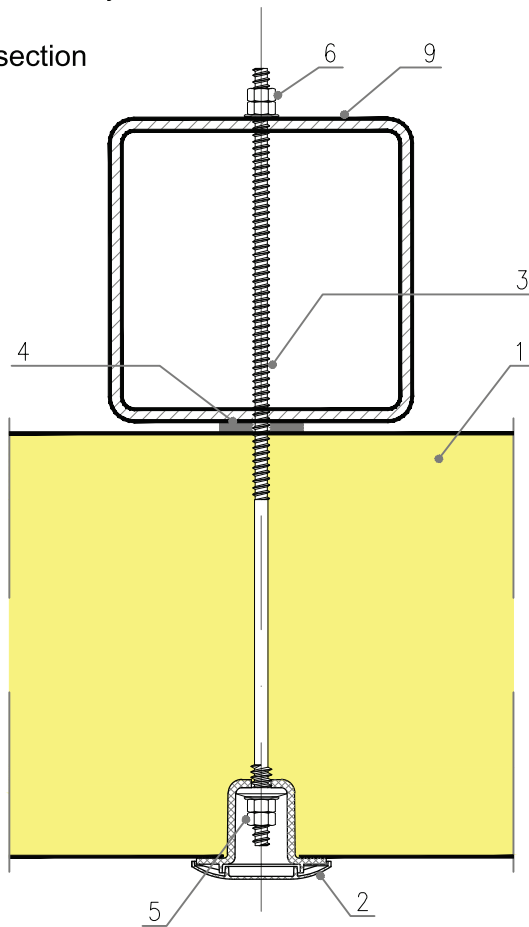
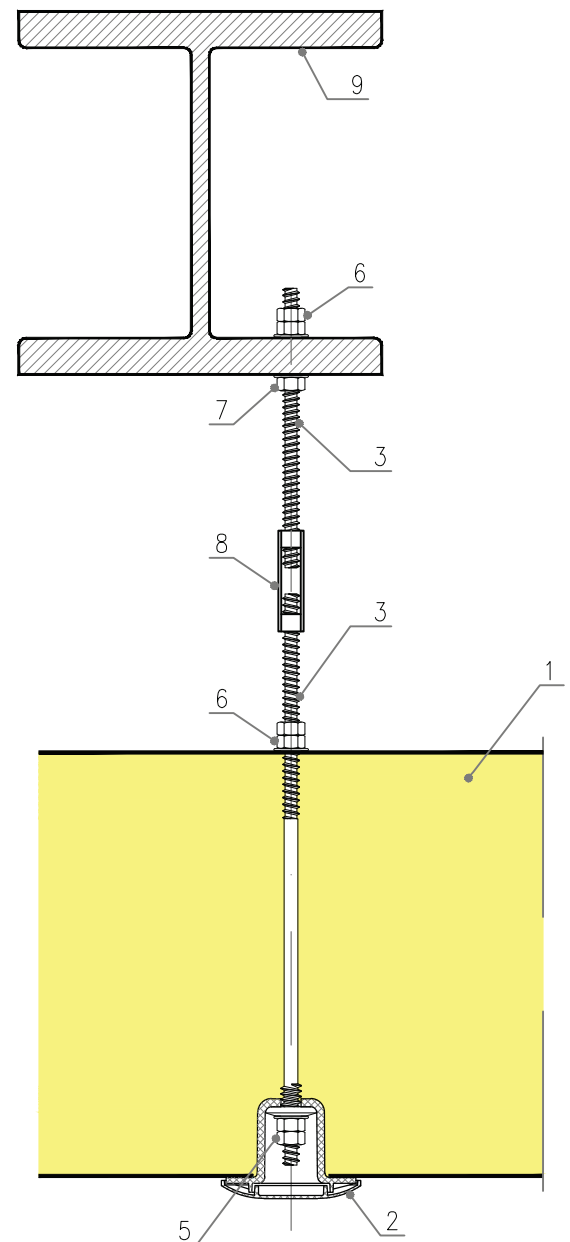


Drawing 41.
S Panel Cold PIR - suspending panels with the use of LAX system fasteners

Variant I
suspending on threaded
steel bars directly to the
bottom
of steel section



Variant I
suspending on threaded steel bars
directly to the bottom
of steel section



1. S Panel Cold PIR panel
2. LAX fastener for thermal bridge reduction (bush + EPDM seal + plug)
3. Threaded bar - diameter and spacing according to the design
4. Self-adhesive PES sealing tape
5. Nut + locknut, EPDM washer + steel washer
6. Nut + locknut + steel washer
7. Nut + steel washer
8. Turnbuckle
9. Steel purlin or bottom trussed rafter strip according to the design of the structure