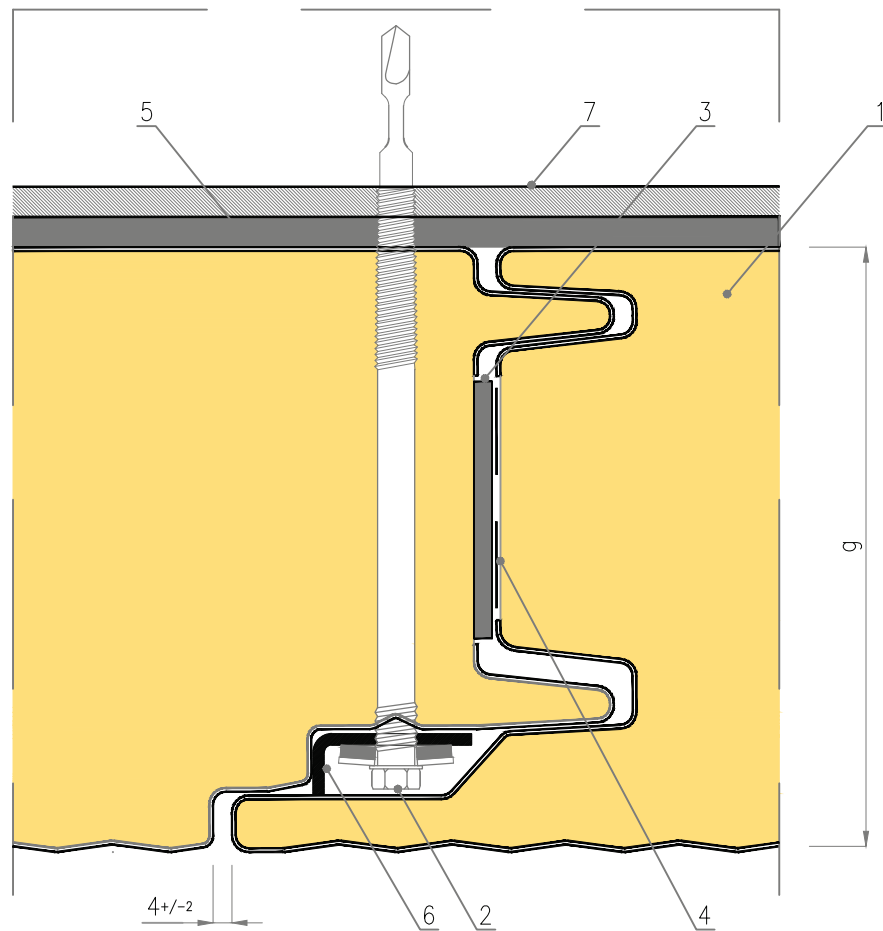
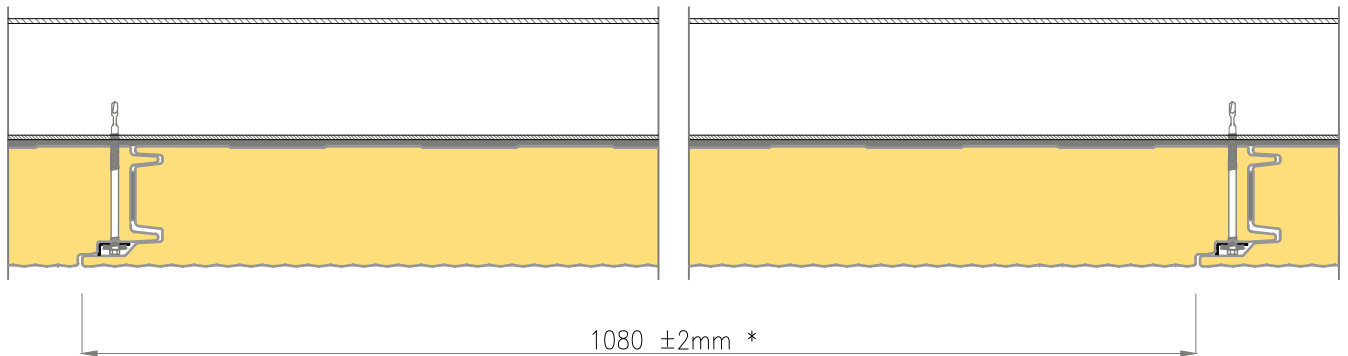


Drawing 6.

S Panel Gold PIR - vertical layout, fastening to the structure



1. S Panel Gold PIR panel
2. Drive screw with EPDM washer
3. Polyurethane seal
4. Self-adhesive PES sealing tape
5. L-02 fastener
6. Steel section, according to the design of the structure

*.: 1080mm - standard modular width of the panel
1000mm - modular width available on request