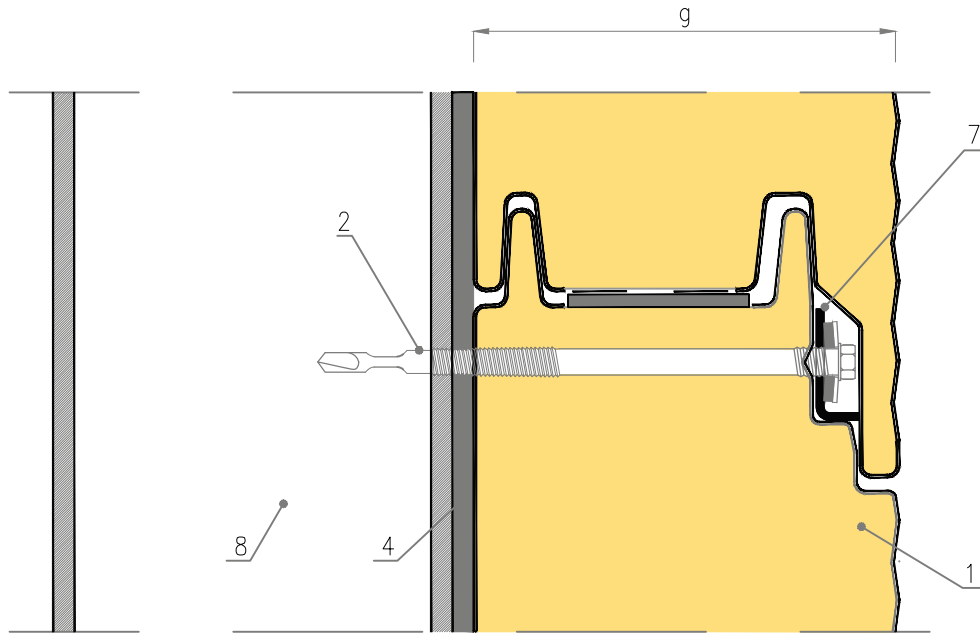
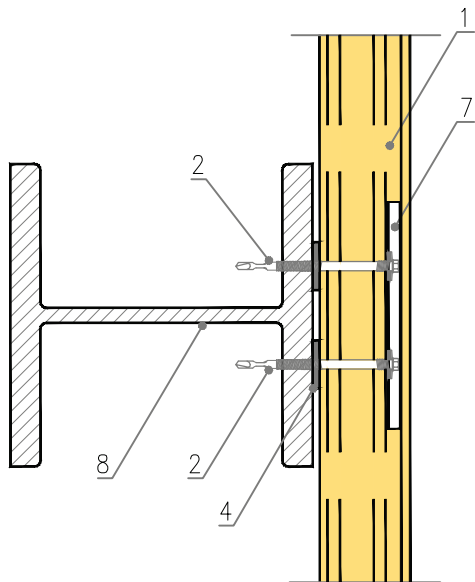


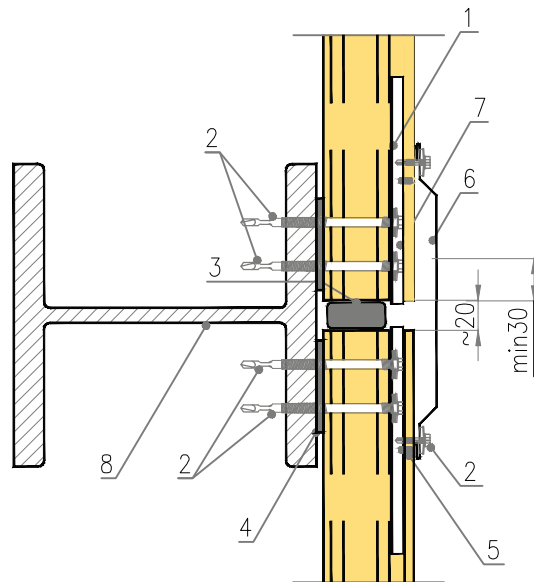
Drawing 8.  
S Panel Gold PIR - horizontal configuration, fastening to the structure



INTERMEDIATE SUPPORT



PANEL JOINT



1. S Panel Gold PIR panel
2. Drive screw with EPDM washer (optionally two fasteners next to each other)
3. Polyurethane foam as ~20 mm movement joint fill
4. Self-adhesive PES sealing tape
5. Sealant, permanently plastic
6. Ob-35 flashing
7. L-02 fastener
8. Steel section, according to the design of the structure