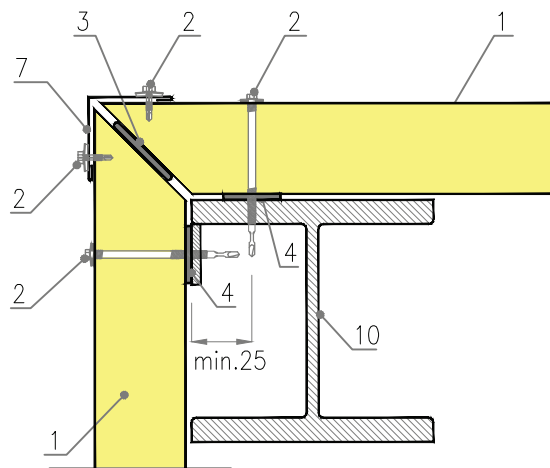
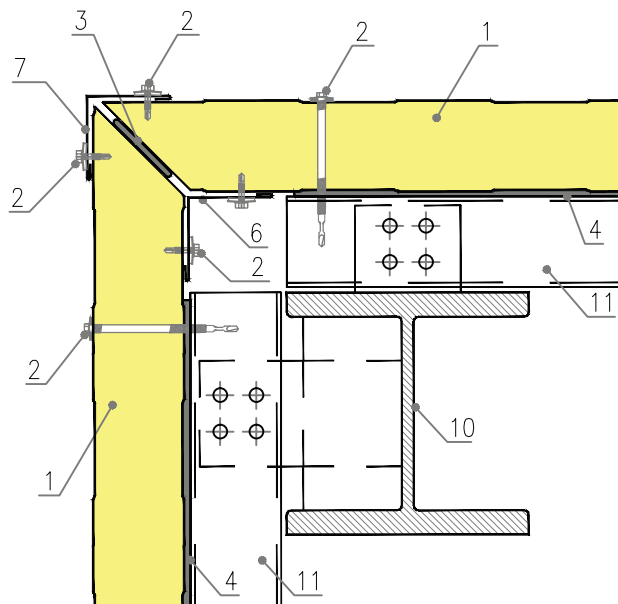


Drawing 9.
S Panel Wall PIR; MWF; EPS and S Panel Gold PIR - corner joint

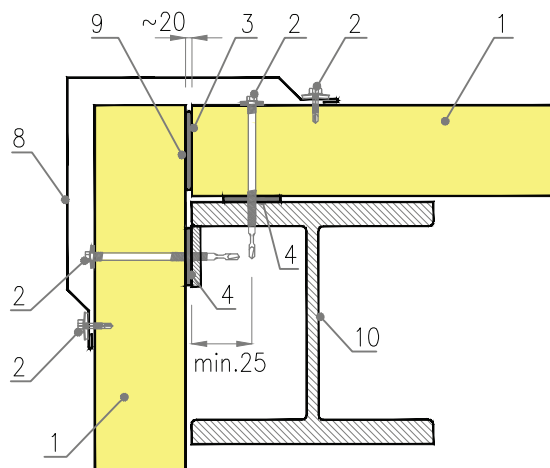
Type I - horizontal arrangement



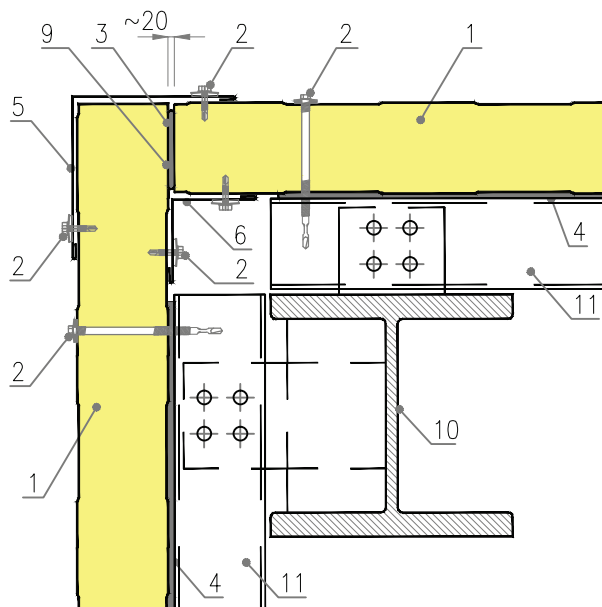
Type I - vertical arrangement



Type II - horizontal arrangement



Type II - vertical arrangement



1. S Panel Wall PIR; MWF; EPS and S Panel Gold PIR panel

2. Drive screw with EPDM washer

3. Polyurethane foam

4. Self-adhesive PES sealing tape

5. Ob-10 flashing

6. Ob-11 flashing

7. Ob-12 flashing

8. Ob-42 flashing

9. Facing locally cut out for stricter thermal performance requirements

10. Steel column according to the design of the structure

11. Steel purlin according to the design of the structure